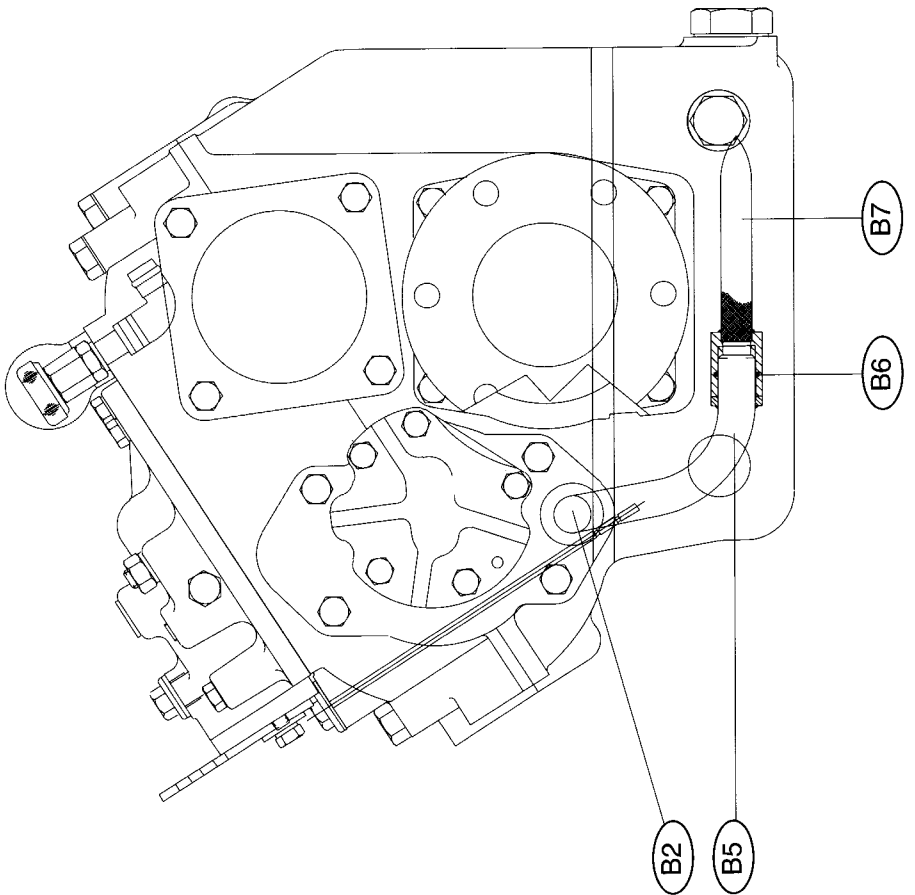
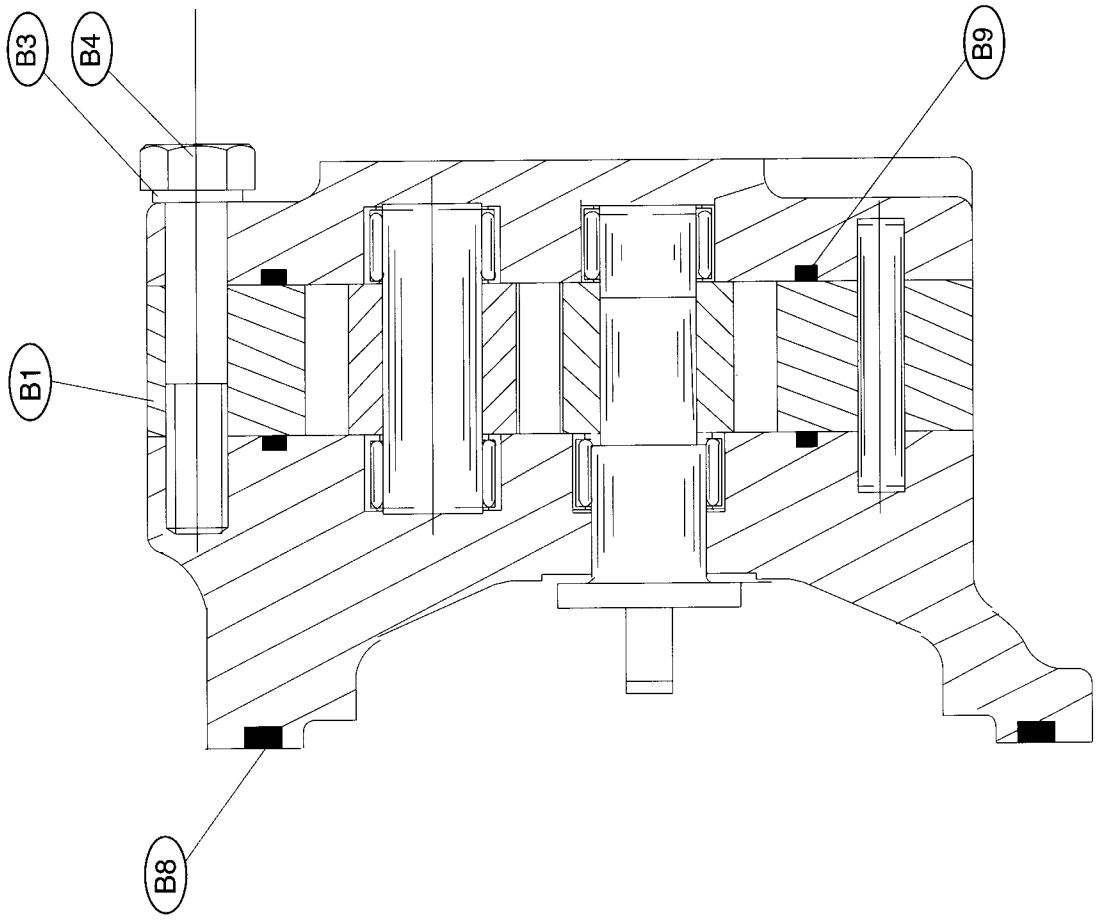


**SECTION A - GEARCASE ASSEMBLY**

ITEM NO.	DESCRIPTION	PART NO.	QTY
A1	Case sub-assembly - all ratios except 4:1	MT0403	1
A2	Gearcase - top - not supplied separately	MT4615	1
A3	Gearcase - bottom - not supplied separately	MT4837	1
A1	Case sub-assembly - 4:1 ratio only	MT0409	1
A2	Gearcase - top - not supplied separately	MT4615	1
A3	Gearcase - bottom - not supplied separately	MT4883	1
A4*	'O' ring	004124	2
A5	Rear cover	MT4512	1
A6	Bolt M10 x 25	0041008	4
A7	Top cover	MT4743S/A	1
A8	Plug BSP	CP1123	1
A9	Washer BSP	CP1139	1
A10	Screw - top cover	0040804	10
A11	Washer	CP1223	10
A12 *	Gasket (top cover)	MT343	1
A13	Eyebolt	CP1339	1
A14	Washer	0201609	1
A15	Breather	CP1383	1
A16	Bulk head nut	CP1385	1
A17	Washer - breather	CP1204	1
A18	Breather tube	CP1382S/A	1
A19	Bolt M10 x 70	0041017	2
A20	Bolt M10 x 90	0041021	4
A21	Washer	CP1068	1
A22	Dipstick	0800687	1
A22	Dipstick - 4:1 ratio gearbox only	MT1137	1
A22	Dipstick - gearbox with angle drive	40M153	1
A23	Bolt - Not illustrated M10 x 110	0041023	1
A24	Dowty washer M10	0201706	21
A25	Screw	0041009	4
A26	Drain plug (magnetic)	CP1331	1
A27	Bonded washer	0201714	1
A28	Bonded washer	0201720	1
A29	Plug	0150100	1
A30	Dowel - not illustrated	MT4540	2

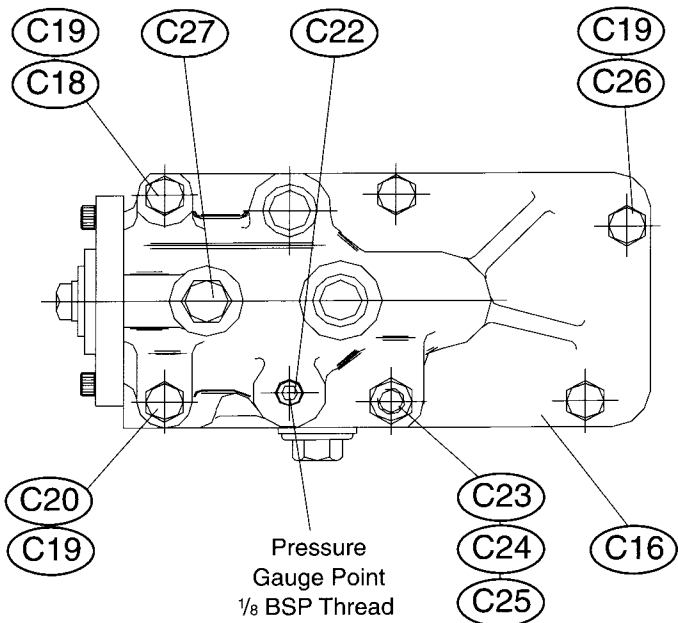
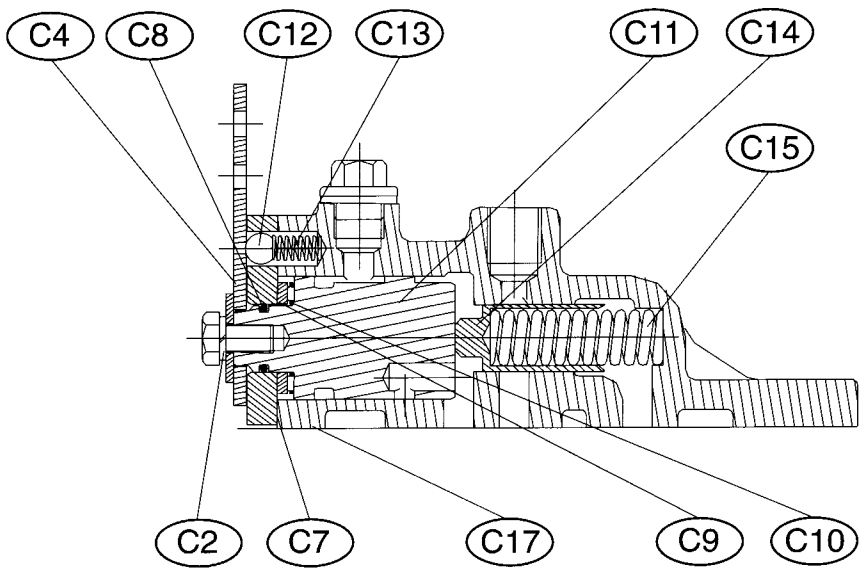
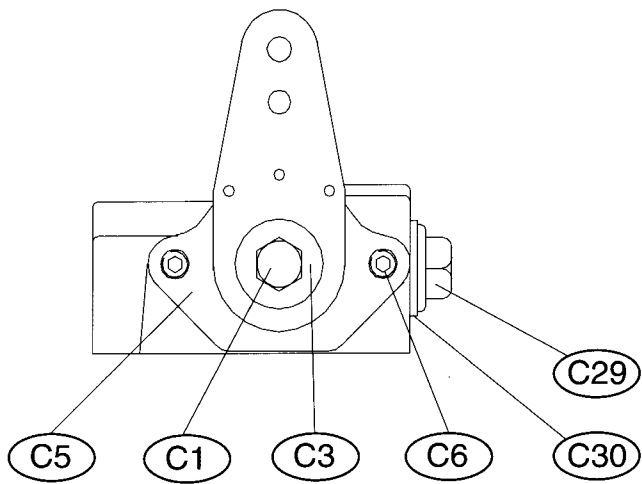
\* Part of gasket/seal kit MT443



**SECTION B - OIL PUMP ASSEMBLY**

ITEM NO.	DESCRIPTION	PART NO.	QTY
B1	Oil pump (Kit)	MT0416-KIT	1
B2 *	'O' ring	001254	2
B3	Washer	0191105	5
B4	Bolt	0040812	5
B5	Oil pipe - internal - all ratios except 4:1	MT4545	1
B5	Oil pipe - internal 4:1 ratio only	MT4546	1
B6 *	'O' ring	000872	1
B7	Strainer	MT4547	1
B8 *	'O' ring	004124	1
B9 *	'O' ring	0430682	2

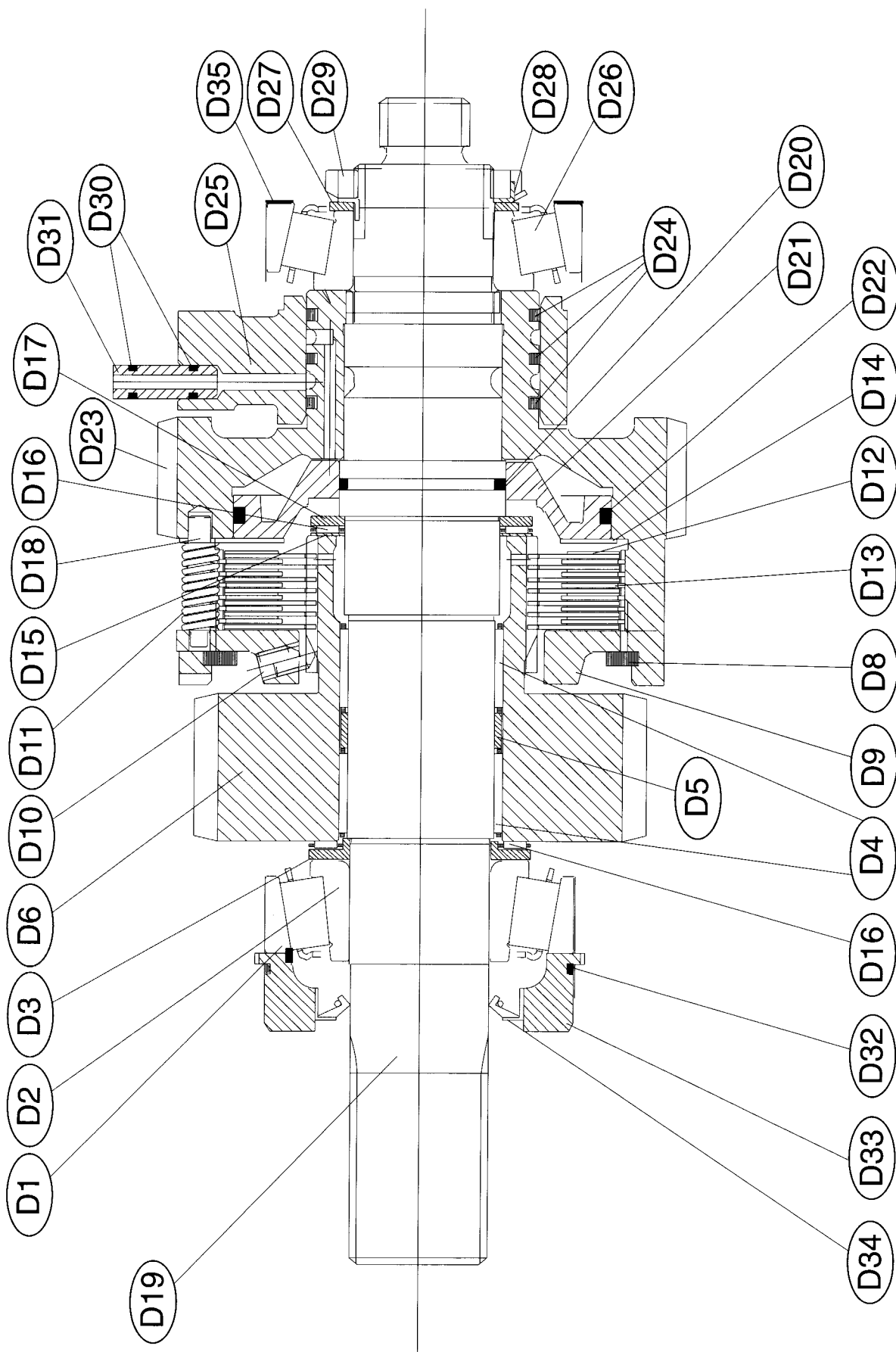
\* Part of gasket/seal kit MT443



**SECTION C - VALVE BLOCK ASSEMBLY**

ITEM NO.	DESCRIPTION	PART NO.	QTY
C	Valve block assembly	MT0411	1
C1	Screw	0040806	1
C2	Spring washer	0191105	1
C3	Washer	MT979	1
C4	Operating lever	MT977	1
C5	End cover	MT978	1
C6	Cap screw	0081220	2
C7 *	Gasket	MT1081	1
C8 *	Nu-lip seal	MT8082	1
C9	Thrust race	CP1308	1
C10	Thrust bearing	CP1307	1
C11	Control valve	MT4656	1
C12	Detent ball	CP1077	1
C13	Detent spring	MT305	1
C14	Piston	MT4751	1
C15	Valve spring 3000 Kpa (440 psi)	MT4928	1
C16	Valve block	MT4780	1
C17 *	Gasket	MT1073	1
C18	Bolt	0040812	1
C19	Washer	CP1223	5
C20	Bolt	0040815	1
C21	Redcap seal (transit only)	MT477	2
C22	Pressure plug	MT311	1
C23	Nut	0051001	1
C24	Washer	0191710	1
C25	Stud	MT1292	1
C26	Screw	0040808	3
C27	Switch and ball assy } Bonded seal }	MT0214 } 0201715 }	1 assy
C29	Plug (M18 pressure port)	0150318	1
C30	Bonded seal	0191718	1

\* Part of valve block gasket kit: MT0392 or gasket/seal kit: MT443

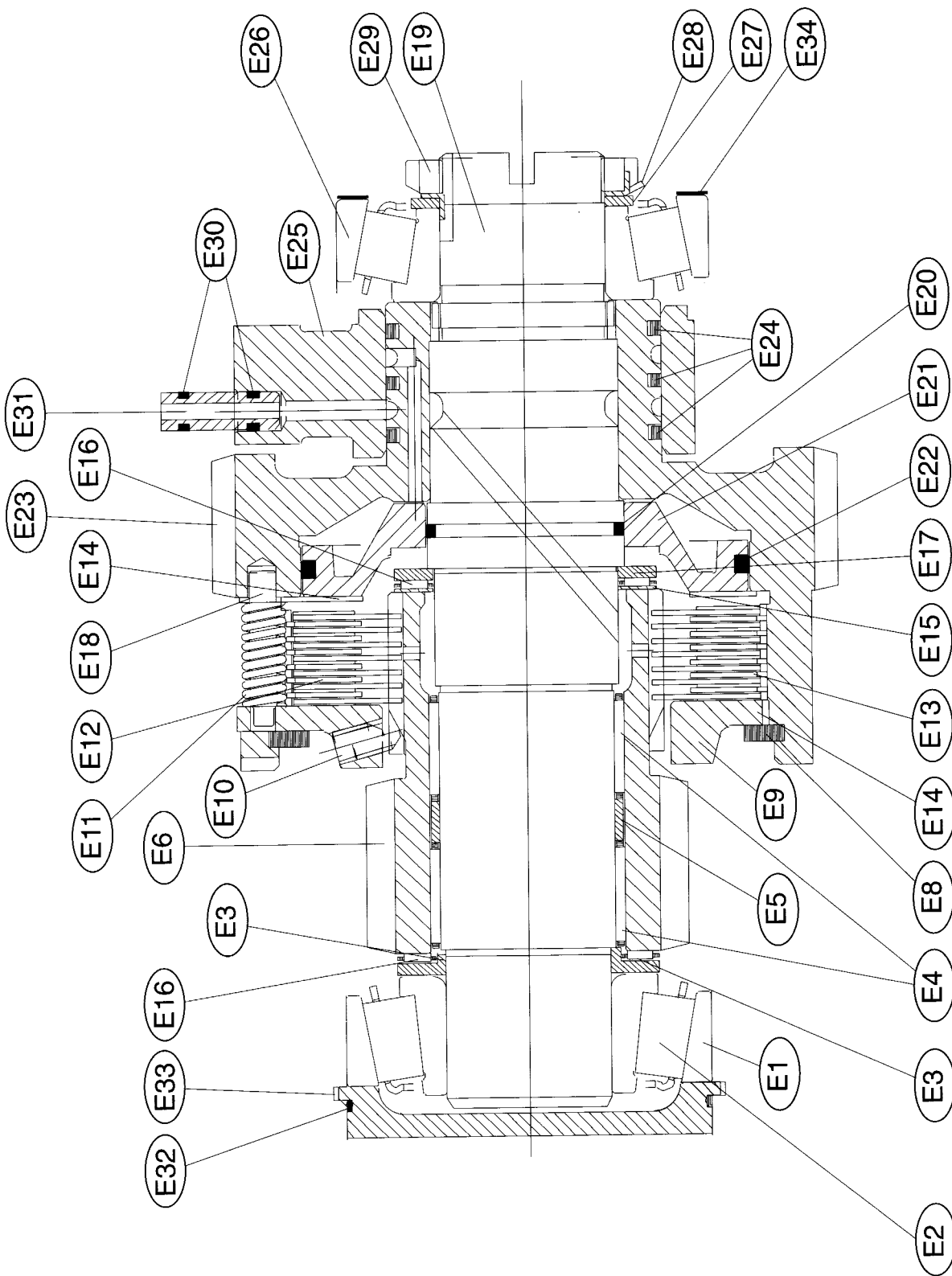


**SECTION D - INPUT SHAFT ASSEMBLY**

ITEM NO.	DESCRIPTION	PART NO.	QTY
D1	Bearing cup	055U056	1
D2	Bearing cone	055C025	1
D3	Spacer	MT4715	1
D4	Needle roller bearing	0564201	2
D5	Spacer	MT4723	1
D6	Pinion (1.5:1) 36T	MT4798 S/A	1
D6	Pinion (2:1) 30T	MT4799 S/A	1
D6	Pinion (3:1) & (4:1) 22T	MT4800 S/A	1
D8 □	Circlip	0341200	1
D9 □	Clutch end cover	MT4794S/A	1
D10 □	Grub screw - part of MT4794S/A	014V512F	3
D11 □	Spring	MT4649	3
D12 □	Clutch plate	MT4602/S	7
D13 □	Clutch plate	MT4535	6
D14 □	Clutch end plate	MT4534	1
D15	Thrust washer	CP1363	1
D16	Thrust bearing	CP1337	2
D17	Thrust washer	CP1338	1
D18	Location pin	MT4801	3
D19	Input shaft	MT4716	1
D20 *	'O' ring	001873	1
D21	Piston	MT4655	1
D22 *	'O' ring	004254	1
D23	Clutch gear RH identification groove	MT4949	1
D24 !	Piston ring	MT4539	3
D25	Feeder	MT4511	1
D26	Bearing	0540452	1
D27	Spacer	MT4518	1
D28	Lockwasher	010W401	1
D29	Locknut	010N401	1
D30 *	'O' ring	000372	4
D31	Connector	MT1057	2
D32 *	'O' ring	003473	1
D33	Input cover	MT4514	1
D34 *	Oil seal	0400403	1
D35 **	Shim 0.002"	MT1076/02	As req'd.
D35 **	Shim 0.010"	MT1076/10	As req'd.

- Part of clutch pack kit MT0432
- ! Part of piston ring kit MT0441
- \* Part of gasket/seal kit MT0443
- \*\* Part of shim kit MT0120

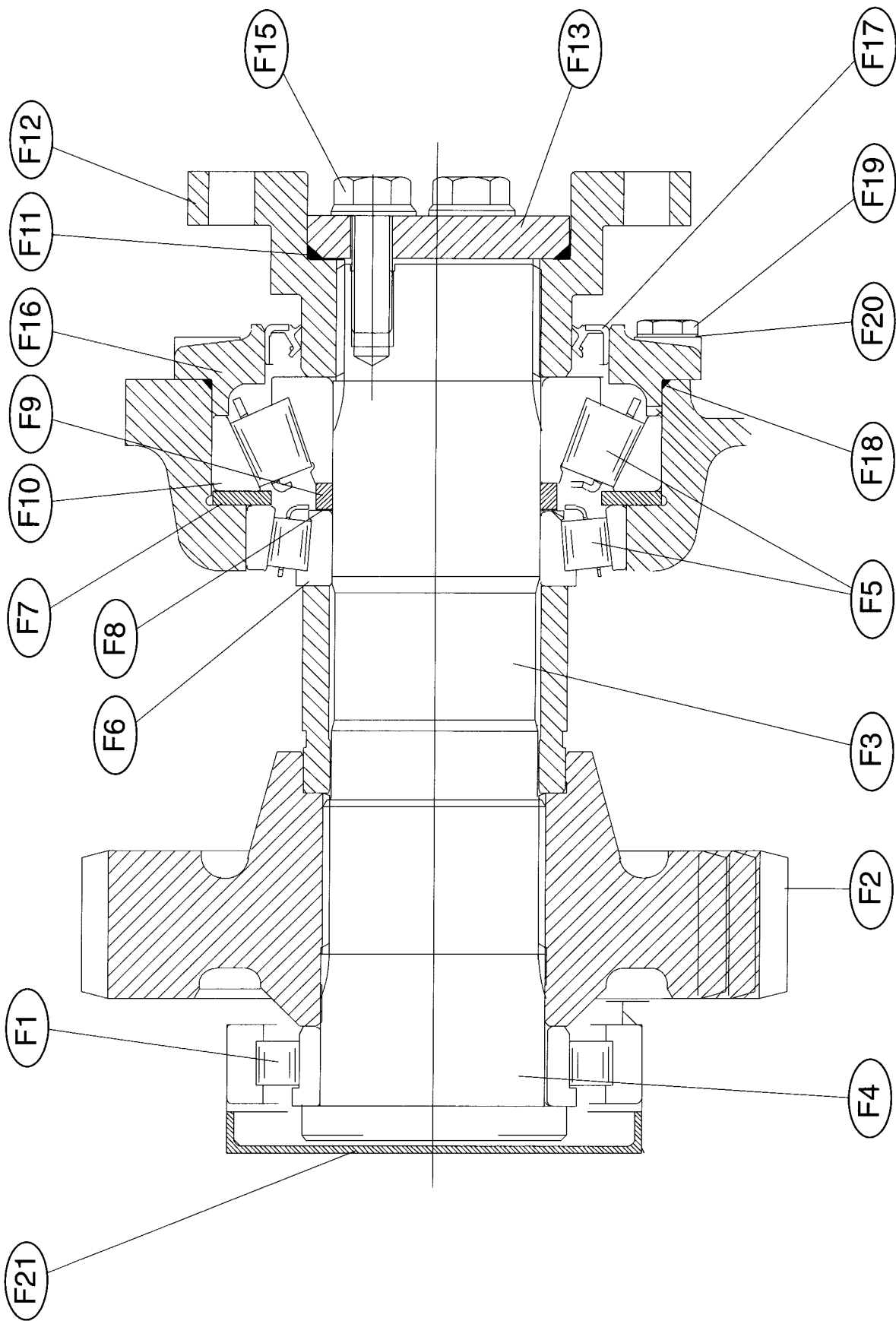




**SECTION E - LAYSHAFT ASSEMBLY**

ITEM NO.	DESCRIPTION	PART NO.	QTY
E1	Bearing cup	055U056	1
E2	Bearing cone	055C025	1
E3	Spacer	MT4715	1
E4	Needle roller bearing	0564201	2
E5	Spacer	MT4723	1
E6	Pinion (1.5:1) 36T	MT4798 S/A	1
E6	Pinion (2:1) 30T	MT4799 S/A	1
E6	Pinion (3:1) & (4:1) 22T	MT4800 S/A	1
E8 □	Circlip	0341200	1
E9 □	Clutch end cover	MT4794S/A	1
E10 □	Grub screw - part of MT4794S/A	014V512F	3
E11 □	Spring	MT4649	3
E12 □	Clutch plate	MT4602/S	7
E13 □	Clutch plate	MT4535	6
E14 □	Clutch end plate	MT4534	1
E15	Thrust washer	CP1363	1
E16	Thrust bearing	CP1337	2
E17	Thrust washer	CP1338	1
E18	Location pin	MT4801	3
E19	Layshaft	MT4717	1
E20 *	'O' ring	001873	1
E21	Piston	MT4655	1
E22 *	'O' ring	004254	1
E23	Clutch gear LH	MT4948	1
E24 !	Piston ring	MT4539	3
E25	Feeder	MT4511	1
E26	Bearing	0540452	1
E27	Spacer	MT4518	1
E28	Lockwasher	010W401	1
E29	Locknut	010N401	1
E30 *	'O' ring	000372	4
E31	Connector	MT1057	2
E32 *	'O' ring	003473	1
E33	Layshaft cover	MT4515	1
E34	Shim 0.002"	MT1076/02	As req'd.
E34	Shim 0.010"	MT1076/10	As req'd.

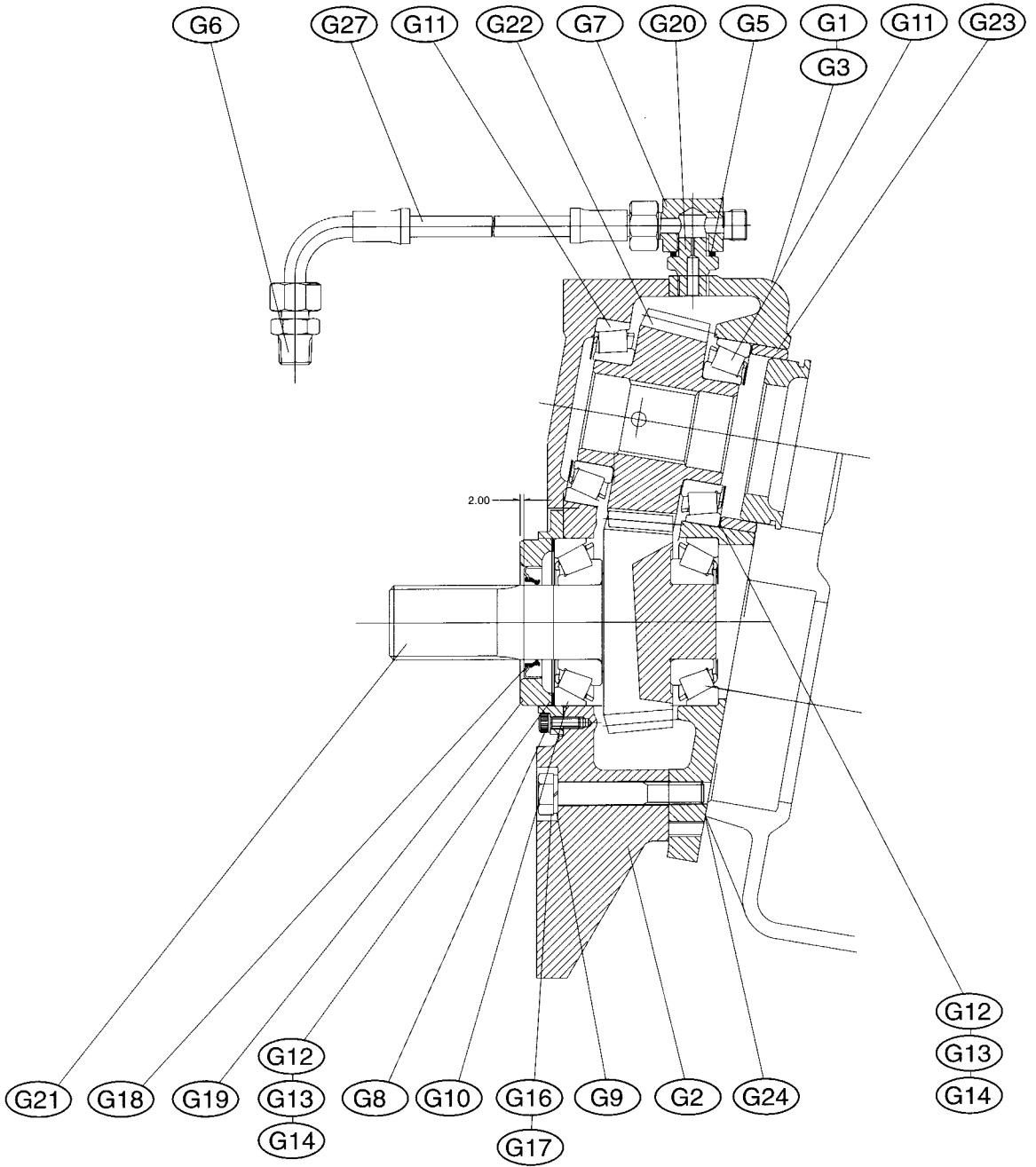
- Part of clutch pack kit MT0432
- ! Part of piston ring kit MT0441
- \* Part of gasket/seal kit MT0443
- \*\* Part of shim kit MT0120



**SECTION F - OUTPUT SHAFT ASSEMBLY**

ITEM NO.	DESCRIPTION	PART NO.	QTY
F1	Bearing	0536541	1
F2	Output gear 1.5:1 55T	MT4881	1
F2	Output gear 2:1 61T	MT4841	1
F2	Output gear 3:1 63T	MT4842	1
F2	Output gear 4:1 87T	MT4882	1
F3	Spacer	MT4843	1
F4	Output shaft	MT4838	1
F5	Bearing assembly comprising:-	MT0178	1
F6	Bearing		1
F7	Spacer		1
F8	Shims	Not sold separately	As req'd
F9	Spacer		1
F10	Bearing		1
F11 *	'O'ring	043693	1
F11 *	'O' ring (4:1)	043883	1
F12	Output flange (all ratios except 4:1)	MT4892	1
F12	Output flange (4:1)	MT4893	1
F13	Washer	MT4894	1
F13	Washer (4:1)	MT4932	1
F15	Bolt M12 (Durlok)	01207035	3
F16	Seal housing	MT4897	1
F17 *	Oil seal	0400781	1
F18 *	'O' ring	0431303	1
F19	Bolt	0041009	4
F20	Washer	021706	4
F21 *	Seal (Shamban)	06912012	1

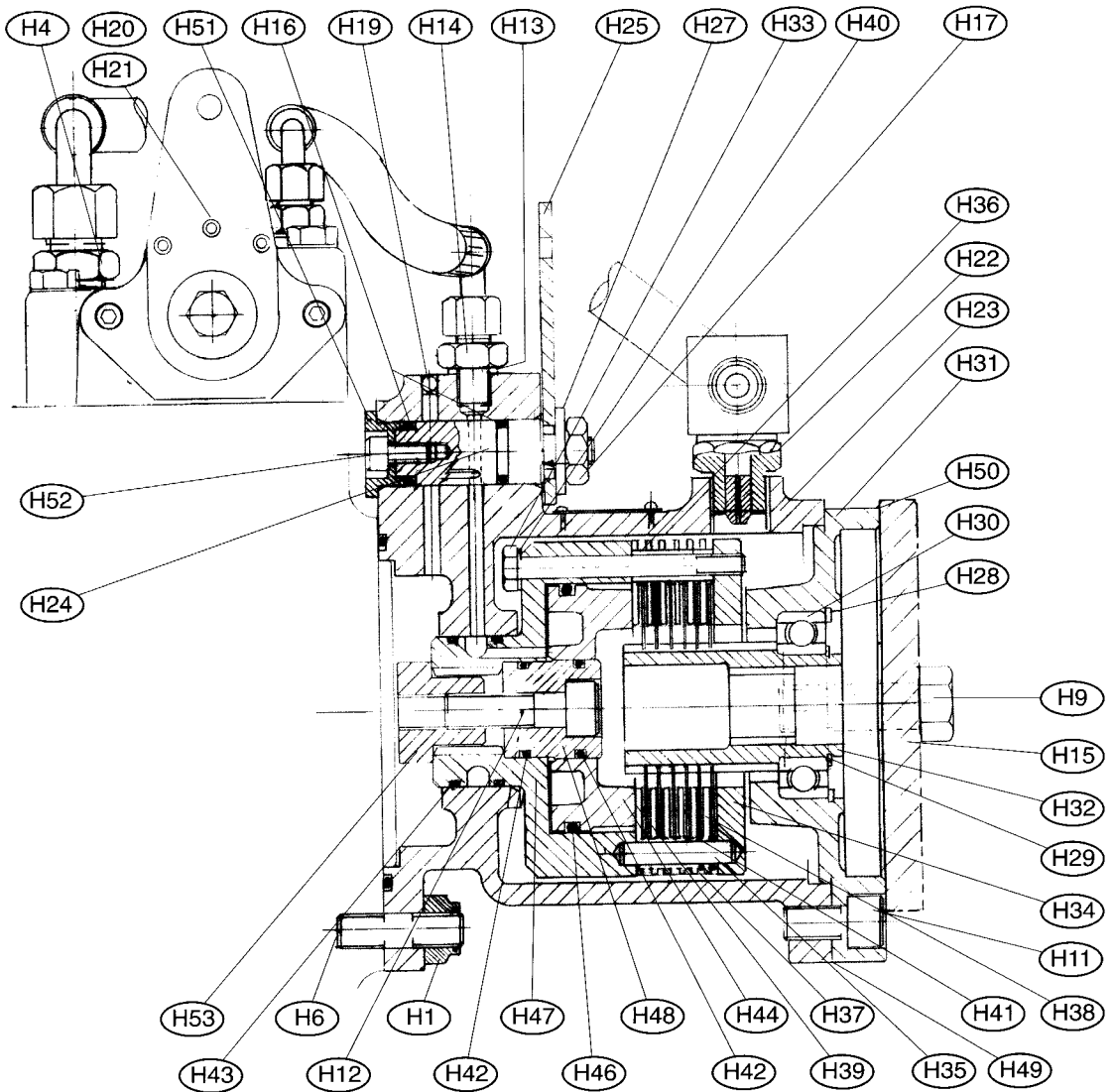
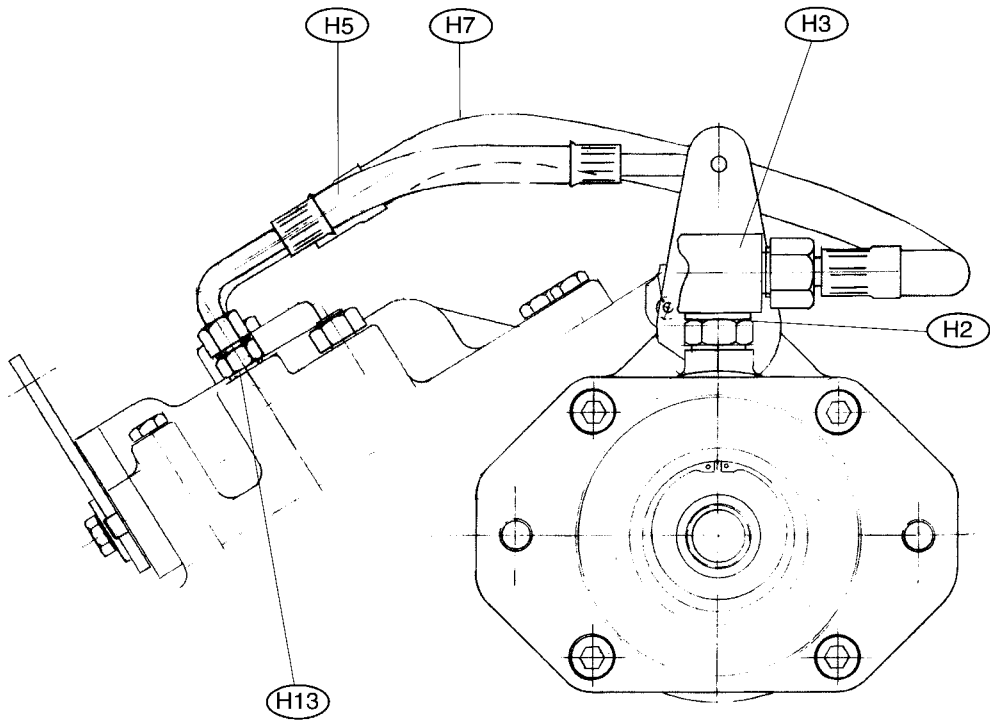
\* Part of gasket/seal kit MT0443



**SECTION G - DOWN ANGLE DRIVE UNIT**

ITEM NO.	DESCRIPTION	PART NO.	QTY
G	Down angle drive unit	MT0345	1
G1	Gearcase S/A	MT0344	1
G2	Half case (front) - not supplied separately	MT4776	1
G3	Half case (rear) - not supplied separately	MT4775	1
G4	Nyloc nut (not illustrated)	0051205	6
G5	Dowty washer	0201715	1
G6	Adaptor	CP1255	1
G7	Tee piece	CP1367	1
G8	Cap screw	0081316	4
G9	Spring washer	0191107	7
G10	Taper bearing	0540551	2
G11	Taper bearing	0540401	2
G12	Shim .002"	057353A	6
G13	Shim .010"	057353C	6
G14	Shim .031"	057353E	2
G15	Dowel (not illustrated)	40M629	2
G16	Bolt	041217	1
G17	Bolt	0041219	3
G18 *	Oil seal	0400403	1
G19	Oil seal housing	MT4778	1
G20	Union sub assy	MT4583	1
G21	Input gear	MT4658	1
G22	Output gear	MT4779	1
G23	Location ring	MT4777	1
G24	Gasket (PRM601 only)	MT4599	1
G24	Gasket (PRM1000 only)	MT4994	1
G25	Stud (not illustrated)	MT4642	6
G26	Spacer (not illustrated PRM601 only)	MT4672	1
G27	Oil pipe	MT766	1
G28	Dipstick (not illustrated)	40M153	1
G29	Shims (not illustrated)	057390A/C/E	3

\*\* Part of gasket/seal kit MT0443



**SECTION H - POWER TAKE-OFF**

ITEM NO.	DESCRIPTION	PART NO.	QTY
H	Power Take-Off	MT0205	1
H1	Nyloc nut	0051006	4
H2	Dowty washer	0201715	1
H3	Tee piece	CP1367	1
H4	Pipe adaptor	CP1255	1
H5	Hose - clutch feed	MT5008	1
H6	Stud	MT5009	4
H7	Oil pipe - cooler circuit	MT766	1
H8	Shimming kit - not illustrated	MT0120	As req'd.
H9	Bolt	0041208	2
H11	Cap screw M12 x 20	0081620	4
H12	Cap screw	0081535L	1
H13	Bonded seal	CP1224	2
H14	Union	CP1341	2
H15	Cover plate	MT1293	1
H16 *	Seal - Nulip	MT8082	2
H17	Nut	0050801	1
H19	Ball 3/16" diameter	CP1180	1
H20	Detent ball 3/16" diameter	CP1191	1
H21	Spring	MT305	1
H22	Union sub assy.	MT4583	1
H23	Body	MT1310	1
H24	Selector valve	MT1626	1
H25	Operating lever	MT5007	1
H27	Washer	MT979	1
H28	Circlip	0250550	1
H29	Circlip	0330300	1
H30	Ball bearing	0513010	1
H31	Cover	MT1309	1
H32	Drive adaptor	MT5004	1
H33 □	Bolt	0010420	6
H34 □	Clutch end cover	MT1113	1
H35 □	Pin	MT1155	3
H36 □	Ferrule	MT1156	6
H37 □	Spring	MT1157	3
H38 □	Clutch plate	MT116	5
H39 □	Clutch end plate	MT117	1
H40 □	Tab washer	MT351	3
H41 □	Clutch plate	MT731/S	6
H42 *	'O' ring	001123	2
H43 *	Piston ring	0071722	2
H44	Piston	MT1347	1
H46 *	'O' ring	002874	1
H47	Clutch body	MT5003	1
H48	Plug	MT1549	1
H49	Joint (gasket)	MT5011	1
H50	Joint (gasket)	MT5012	1
H51	End cap	MT1625	1
H52	Cap screw (transit only)	0081312L	1
H53	Transit bung	MT1620	1

\* Part of PTO sealing kit MT0442

□ Part of PTO clutch pack MT0153